

NESTOR MARTIN

INSTRUCTIONS

Conventional flue

GAS

Models

H14 ALSO KNOWN AS **S14** AND **C14**

H44 ALSO KNOWN AS **S44** AND **C44**

RH34 ALSO KNOWN AS **FH34**

H24 ALSO KNOWN AS **S24** AND **C24**

H34 ALSO KNOWN AS **S34** AND **C34**

TQH14



THERMIC DISTRIBUTION EUROPE SA/NV

5,rue du lion

B-5660 frasnes-Lez-COUVIN

Content

1. General Notes	3
2. User instructions.	4
2.1 First Time of Operation	4
2.2 Remote Control Overview	4
2.3 Batteries	5
2.4 Replacing the batteries	5
2.5 Setting the Transmitter code	5
2.6 To Ignite the appliance	5
2.7 To Turn the appliance OFF	6
2.8 Adjusting the Flame setting	6
2.9 N/A	6
2.10 Setting °C/24 hour or °F/12 hour clock	6
2.11 Setting the Time	6
2.12 Cleaning and Maintenance	6
3. Installation instructions.	7
3.1 Gas Connection	7
3.2 Ventilation	7
3.3 Installation	8
3.4 Flue Connection	10
3.5 Fuel Bed Arrangements	11
3.6 Dimensions	23
3.7 Commissioning the appliance	29
3.8 Spillage test	30
4. Servicing	31
4.1 Cleaning the Ceramics	31
4.2 Servicing the Burners	31
4.3 Spare parts	31
5. Technical Information	33
5.1 Countries of Use	33
5.2 Technical Data	34

General Notes

This gas appliance is a High Efficiency, Conventional Flue Live Fuel Effect appliance. It provides radiant and convected heat using the latest burner technology.

Before Installation, check that the local distribution conditions, nature of the gas and pressure, and adjustment of the appliance are compatible.

This appliance is intended for use on a gas installation with a governed meter.

This Gas Installation **may only be installed by a registered professional competent person (Gas Safe installer in the UK)**. The installation must adhere to the requirements of the local and national Building regulations and national standards. The installation manual must also be followed.

Ensure that the Flue Terminal is not in any way obstructed and is clear of vegetation, i.e. trees, shrubs etc. and that no objects are leant against the terminal or guard.

Always clean the Window Panel before the fire is ignited. Any finger prints must be removed, as these will be burnt into the glass and will be un-removable.

WARNING : Do not operate this appliance if the glass panel has been broken (or cracked), removed or is open.

The appliance is designed to fit numerous installation situations as listed in these installation instructions. However only flue approved by Nestor Martin for this appliance may be used.

This appliance is designed as a heating appliance, and as such will get very hot in operation, all surfaces (except the controls and access door) are considered to be working surfaces and as such should not be touched. The front windows and surrounds are not considered to be fully secure guards against accidental contact. It is recommended that an approved fire screen be used if children, the elderly or persons with limited mobility are to be present in the same area.

Do not place curtains, laundry, furniture etc. within a safe distance of 600mm of this appliance.

Do not attempt to burn rubbish on this appliance.

If this appliance is extinguished, on purpose or other, no attempt to relight should be made within 3 minutes.

User instructions

2. User instructions.

2.1 First Time of Operation

Before igniting the appliance, ensure that all packaging, safety stickers and any protective wrapping have been removed, and that the glass has been cleaned, including all fingerprints from the glass.

Ensure that the room is adequately ventilated the first time that the appliance is ignited, we would recommend opening windows if possible. Run the appliance at full setting for a few hours so that the paint gets an opportunity to fully cure. During this period it is possible for some fumes and vapours to be given off. We would recommend keeping children and pets out of the area at this time.

2.2 Remote Control Overview

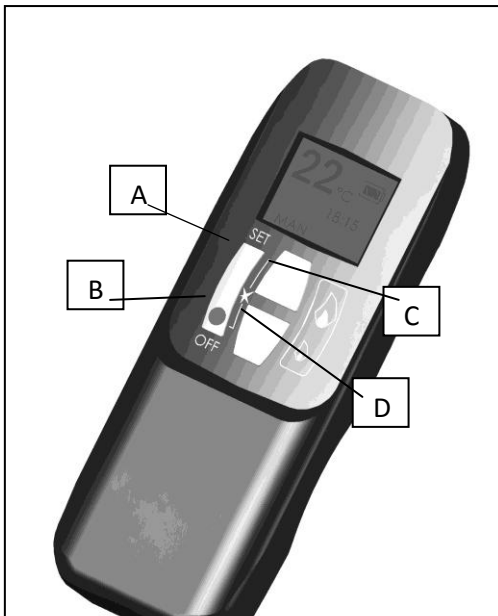


fig. 1.1 Remote Handset

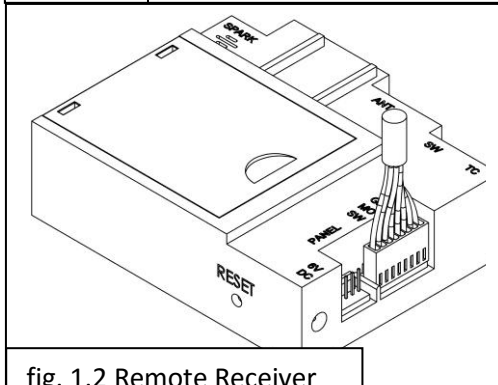


fig. 1.2 Remote Receiver

This Nestor Martin Gas Appliance has been constructed with an advanced remote control system. This consists of three main parts; Handset (fig. 1.1), Receiver (fig. 1.2) and Gas Valve with Manual Override (fig. 1.3). The Gas control valve and the Receiver are behind the access door. This is also where the product Data Label is located.

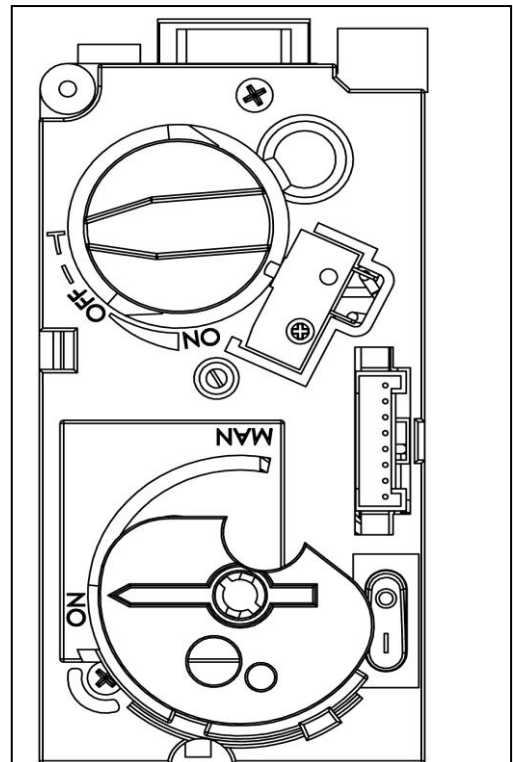


fig. 1.3 Gas Control Valve

User instructions

2.3 Batteries

Remote Handset:

1 x 9V "PP3" Battery, Quality alkaline recommended

Receiver:

4 x 1.5V "AA", Quality alkaline recommended for maximum life.

An alternative AC Mains Adaptor may be used to power the Receiver instead of the 4 AA batteries. Only an AC Mains Adapter supplied by Nestor Martin may be used. The Mains Adaptor is plugged into the DC 6V socket on the end of the receiver.

Note - if the AC Mains Adapter is used, remove the 4 AA's from the Receiver, failure to do so could result in damage and failure of the Receiver. During a period of power outage, the receiver may be unplugged and batteries returned to the Receiver.

2.4 Replacing the batteries

Handset:

There is a battery level indicator on the display of the handset. When this gets low remove the cover on the rear of the handset and replace the battery with another 9V PP3 battery.

Receiver:

Three short audible beeps will sound when the appliance is on to indicate that the batteries in the receiver are getting low.

When the batteries get very low the appliance will be turned off by the remote control. This will fail to happen if the power supply is interrupted.

To replace the Receiver batteries, slide the cover off of the top of the receiver and use the ribbon to pull the batteries out. Replace the batteries with new 1.5V AA's, ensuring that the ribbon is located under the batteries and that the polarity is correct on all 4 batteries.

Never mix new batteries with old, this will result in the new batteries being emptied very quickly.

When the batteries are replaced, it may be necessary to reset the transmitter code, as detailed in the next section.

2.5 Setting the Transmitter code

Press and hold the RESET button with a sharp object (pen or screwdriver) until you hear two audible beeps. After the second, longer beep, release the RESET button.

Within the next twenty seconds press the down button (Button D fig 1.1) on the remote handset until you hear an additional long signal confirming the code is set.

2.6 To Ignite the appliance

Note - If this appliance is extinguished or goes out in use for any reason, wait 3 minutes before attempting to relight the appliance. The Gas Control Valve has an interlock device which will not allow relighting until the 3 minutes have passed.

To be able to use the Remote control Handset (fig. 1.1), the rocker switch on the Gas Valve, must be turned "ON" (the "1" position) and the manual Dial set to the "On" position.

- Simultaneously press and hold buttons B & C (Star and Large Flame), until a short acoustic beep confirms the start sequence has begun; release the buttons.
- Continuing signals confirm the ignition is in process.
- Once pilot ignition is confirmed, there will be gas flow and the main burner will ignite.
- Repeat process if pilot ignition fails.

User instructions

2.7 To Turn the appliance OFF

Press the OFF button (Button B fig. 1.1) on the Handset. This will extinguish all Burners including Pilot.

Note:- Repeated presses of the small flame (Button D fig. 1.1) will turn the main burner OFF, but will leave the Pilot alight.

2.8 Adjusting the Flame setting

To increase the flame height; press the large flame button (Button C fig. 1.1).

To decrease the flame height; press the small flame button (Button D fig. 1.1).

2.9 N/A

N/A

2.10 Setting °C/24 hour or °F/12 hour clock

Simultaneously press OFF and Small Flame buttons (buttons B & D fig. 1.1) until display changes from Fahrenheit/12 hour clock to Celsius/24 hour clock and vice versa.

2.11 Setting the Time

The display will flash after either:

- a. Installing the battery or
- b. Simultaneously pressing the Large Flame Button and Small Flame Button (buttons C & D fig. 1.1)

Press the Large Flame button (button C fig. 1.1) to set the hour.

Press the Small Flame button (button D fig. 1.1) to set the minutes.

Press OFF (button B fig. 1.1) to return to standard operating mode or simply wait and it will return to standard mode after approximately 15 seconds.

2.12 Cleaning and Maintenance

This appliance should be inspected and serviced once a year by a qualified, competent and registered person. The inspection and maintenance must at least ensure that the appliance is working correctly and safely. It is advisable to clean the appliance of any dust and debris before regularly during the heating season and especially if the appliance has not been used for some time. This can be done with a soft brush and a vacuum cleaner or a damp cloth and if required a non-abrasive cleaning agent. Do not use corrosive or abrasive substances to clean the appliance.

Installation instructions

3. Installation instructions.

Before commencing Installation, confirm that the details on the appliance data plate correspond to the local distribution conditions, gas type and pressure to which the appliance is to be installed.

Ensure that gas supply and supply pipe is capable of delivering the required volume and pressure of gas and is in accordance with the rules in force.

3.1 Gas Connection

This appliance has a gas inlet connection of Ø 8mm or Ø 12mm dependant on country of use

3.2 Ventilation

Appliances requiring fixed ventilation.

H44, S44, C44, RH34, FH34, H24, S24, C24, H34, S34, C34 and TQH14

These products are rated in excess of 7kW, and it is a legal requirement to have 100cm² of fixed ventilation if the input is in excess of 7kW. Thus 100cm² of ventilation is required.

If spillage is detected when commissioning the appliance then amongst other problems there may be insufficient natural ventilation for the correct operation of the flue. This is potentially a greater problem should the property be of modern nature. If the appliance does not spill with windows open but does with windows closed, this proves that lack of ventilation is the problem, if not; it will be the flue at fault. Installation of an air brick is the best solution. Any ventilation fitted must comply with BS 5871 part 3 and BS 5440 part 2. Ventilation located underneath or within the immediate vicinity of the fire **MUST NOT** be used as it may adversely affect the performance of the spillage detection system.

Spillage detected during commissioning is almost always a result of poor flue performance, which cannot be corrected by any amount of ventilation.

Appliances H15, S14 and C14

IMPORTANT: Ensure any national ventilation requirements are taken into account during installation of the fire.

UK ONLY:

These appliances have a nominal input not exceeding 7.0kW and does not normally require any additional permanent ventilation.

For Republic of Ireland ventilation may be required, see IS 813, ICP3, IS 327, and any other rules in force.

Installation instructions

3.3 Appliance Fireplace Installation (INSET)

Determine the position required for the appliance.

Create a gas connection for the appliance in approximately the correct location for the gas controls.

The gas controls are connected to the Burner of the appliance.

Fine adjustment and leveling legs is available via the feet.

Do not make any adjustments to the appliance.

The appliance and Flue system should be fitted with a minimum clearance of 500mm from any combustible objects or materials; this includes any combustible materials used for the fireplace construction.

The Fireplace should be ventilated with openings giving a total free vent area of 200 cm².

A gap of 50mm should be left all round the appliance (applies to non-combustible surfaces only).

3.4 Appliance installation (Models H14, H44, RH34, H24, H34 AND TQH14)

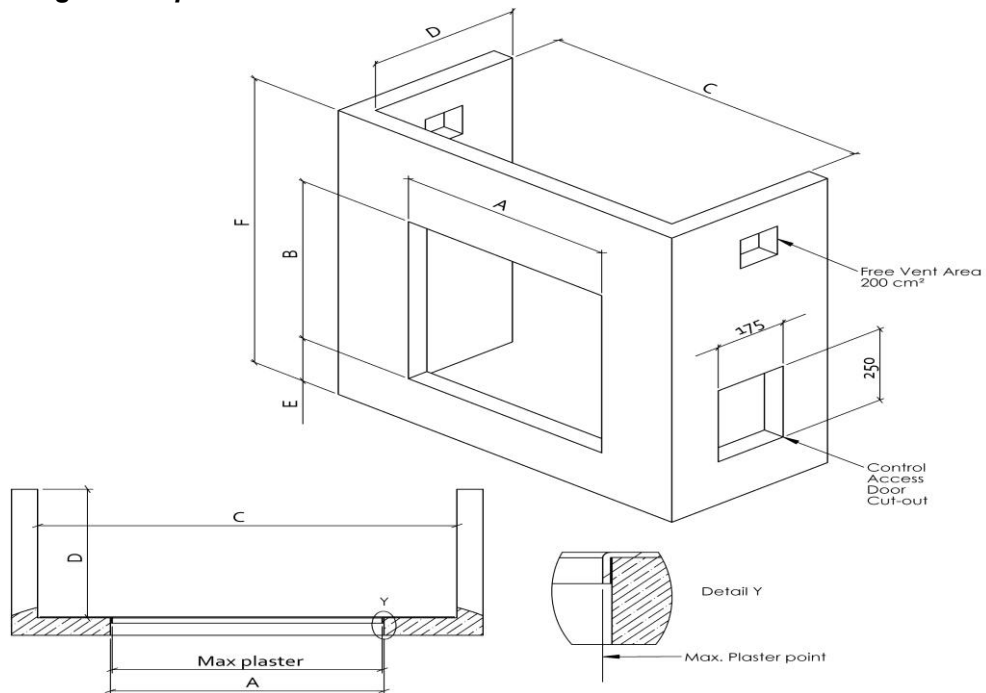
3.5 A non-combustible hearth must be used this hearth must be a minimum of 12mm thick, and project a minimum of 50mm from the base of the appliance in all directions.

3.6 These appliance are not suitable for installation against a combustible wall. A combustible side wall must be a minimum of 75mm from the appliance. (see page 8)

3.7 These appliances can be installed with an up and out flue (vertical wall - horizontal flue) or with a vertical flue with roof termination (see pages 23-28)

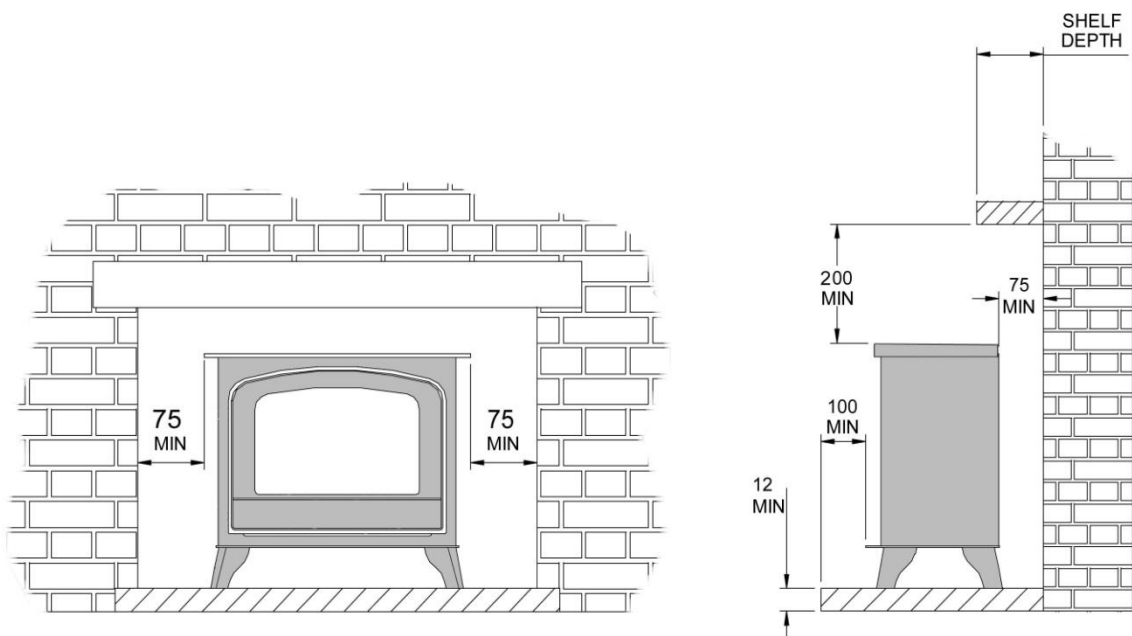
Installation instructions

3.3.1 Building the Fireplace



A=550 B=600 C=750 D=400 E=100 F=800

CONTROL ACCESS DOOR IF REQUIRED



The stove must be located at least 280mm from any combustible materials.

A combustible shelf may be fitted over the appliance, if in the case of a 150mm or less deep shelf, there is at least 280mm clearance above the top of the stove. The shelf depth may increase at the same rate as the increase in clearance; i.e. a shelf depth of 200mm would require a clearance of 330mm.

Installation instructions

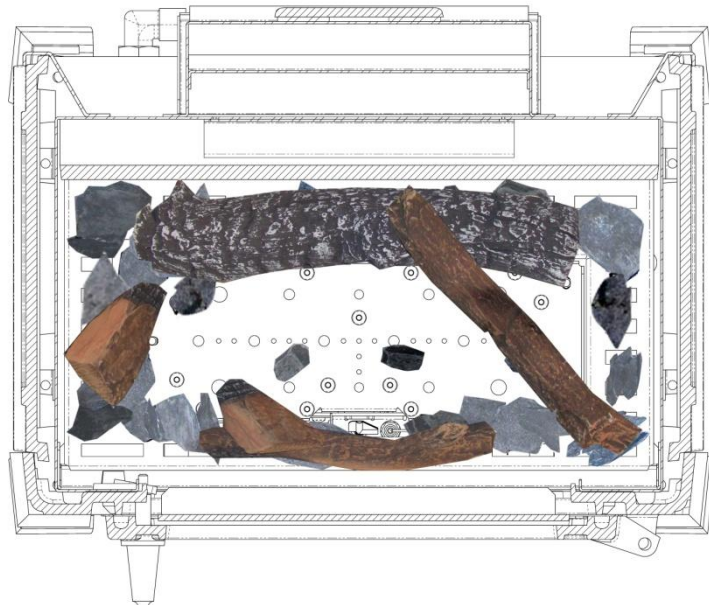
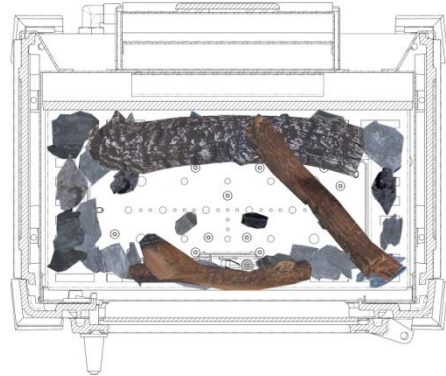
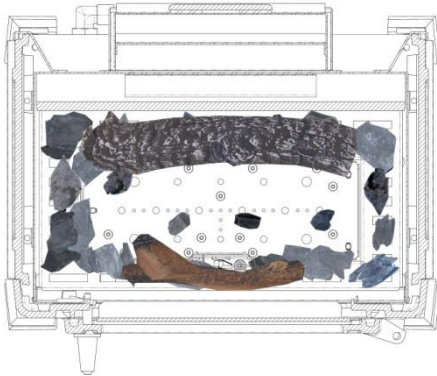
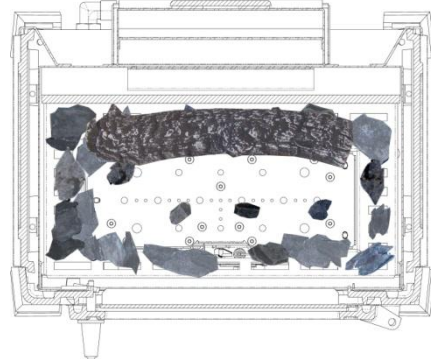
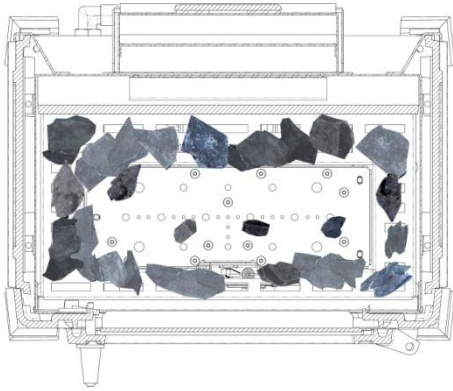
3.4 Flue Connection

- 3.4.1 The chimney or flue system must comply with the rules in force, and must be a minimum of 127mm in diameter. (5").
- 3.4.2 The minimum effective flue height for the appliance must be 3 metres (10ft). Any horizontal flue run from the rear outlet must not exceed 100mm from the back of the appliance.
- 3.4.3 The chimney or flue must be free from any obstruction. Any damper plates must be removed or secured in the fully open position, and no restrictor plates fitted.
- 3.4.4 The chimney must be swept prior to the installation, but it need not be swept if it can be seen the chimney is clean and unobstructed throughout its entire length.
- 3.4.5 A 5" (127mm) liner must be used if fitting the stove into an existing brick built chimney. Larger lined flues can work, but in some instances could cause cold start flue problems resulting in nuisance shutdown. Lined flues above 7" (175mm) are not recommended.
- 3.4.6 Due to recent changes to European chimney standards, new flues and chimneys are described by their temperature, pressure and resistance to corrosion, condensation and fire. To assist in identifying the correct flue system, the minimum flue specification is shown in the Technical Specification. Existing chimneys are not covered by this system.

Installation instructions

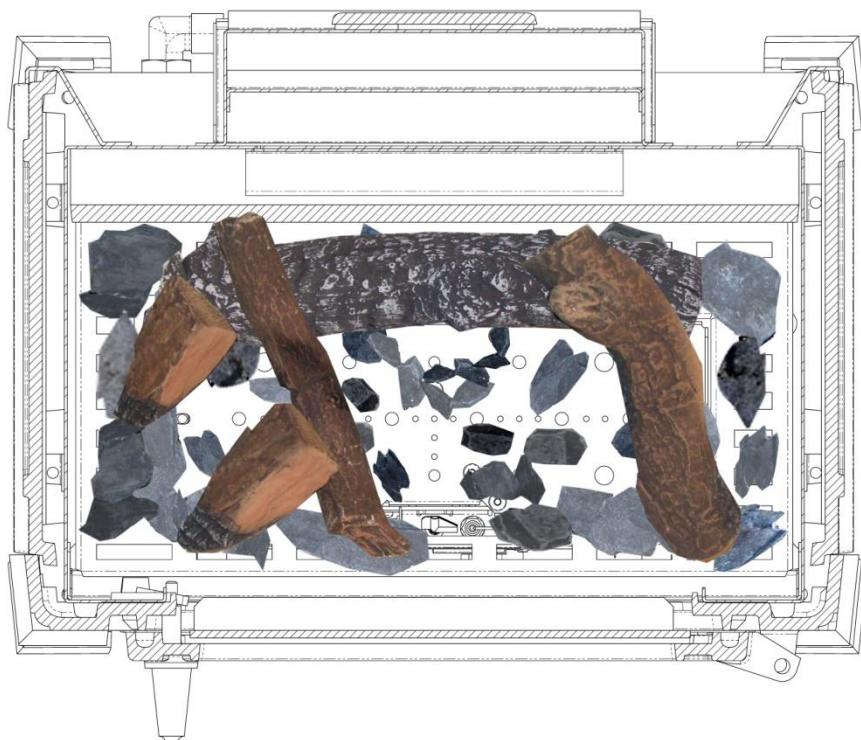
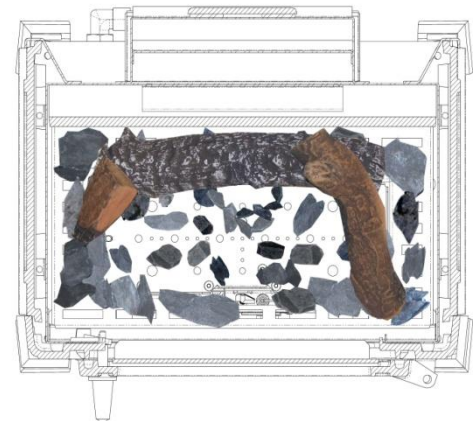
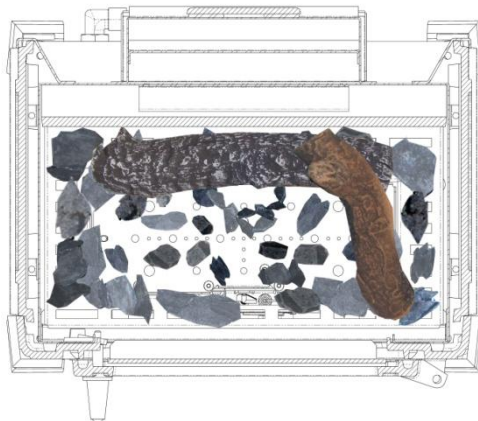
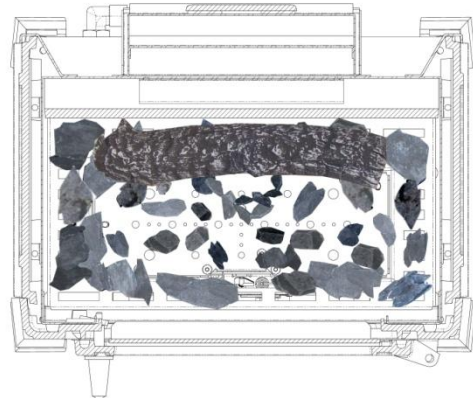
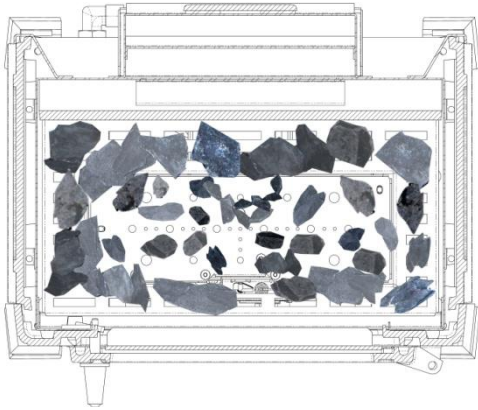
3.5 Fuel Bed Arrangements.

H14 LPG



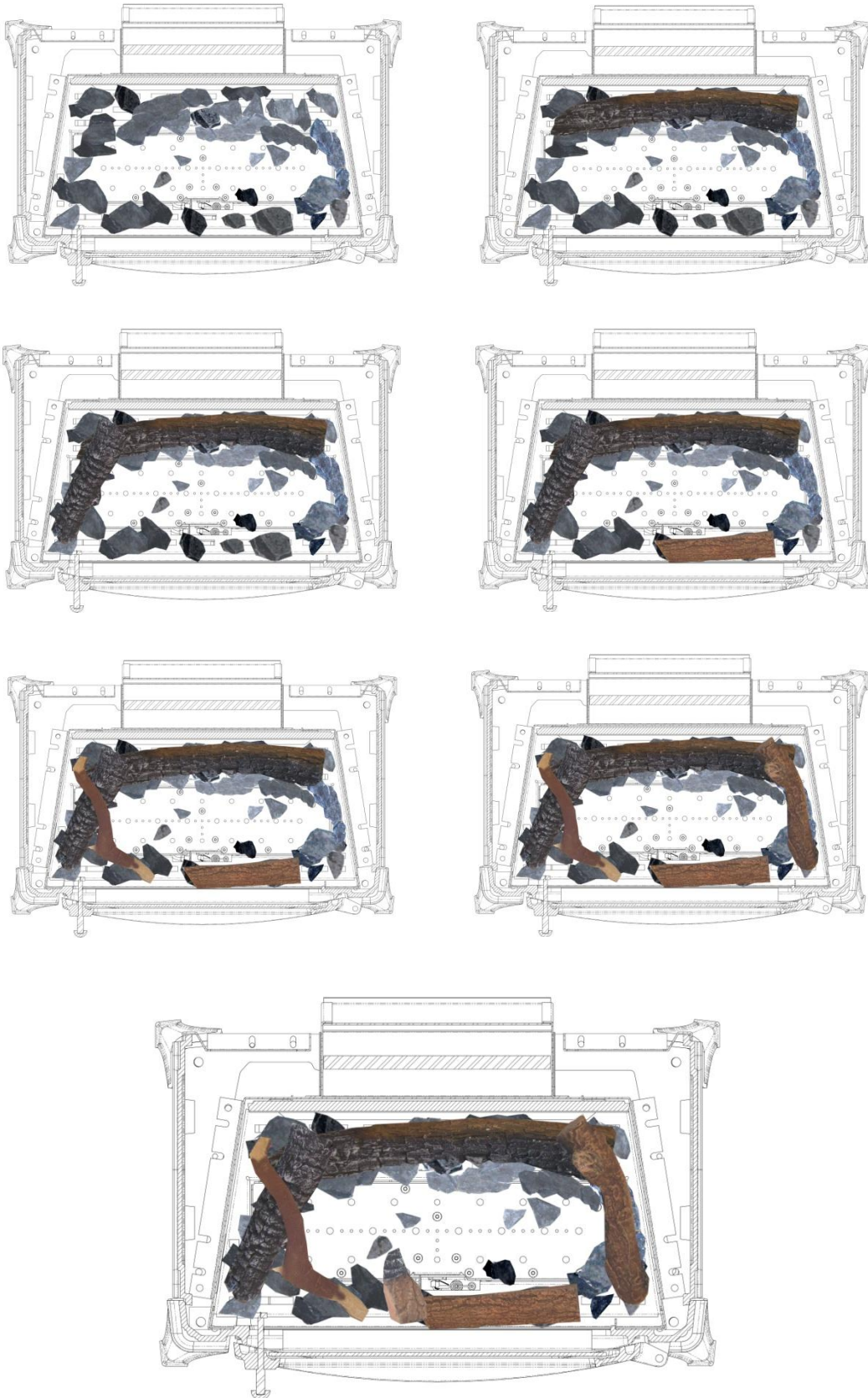
Installation instructions

H14 NG



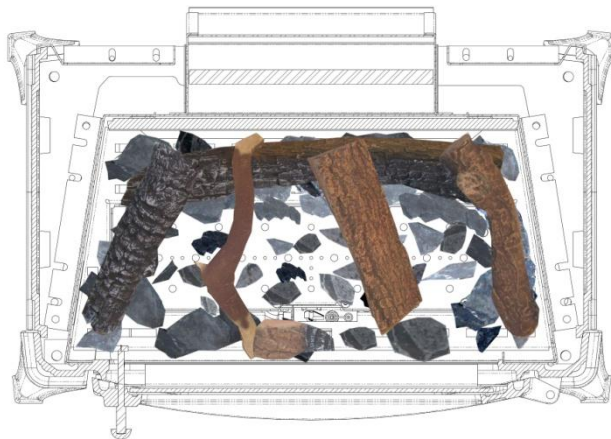
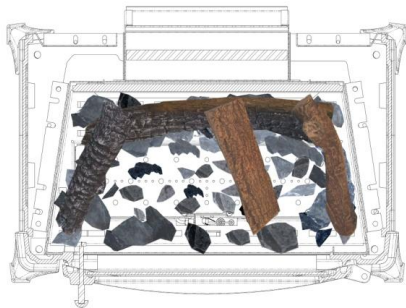
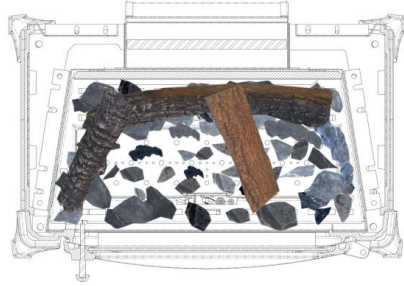
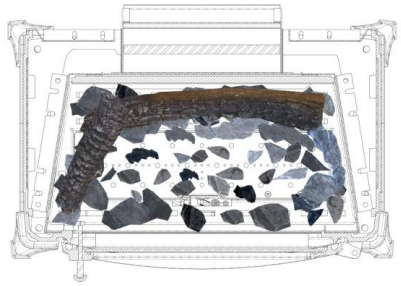
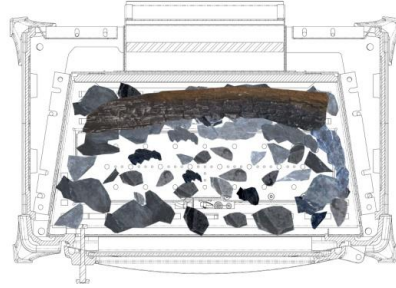
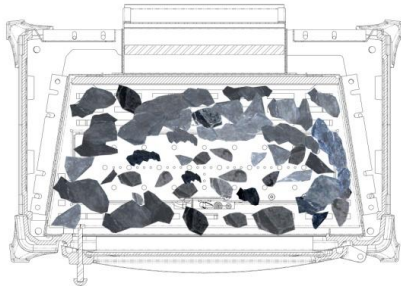
Installation instructions

H24 LPG



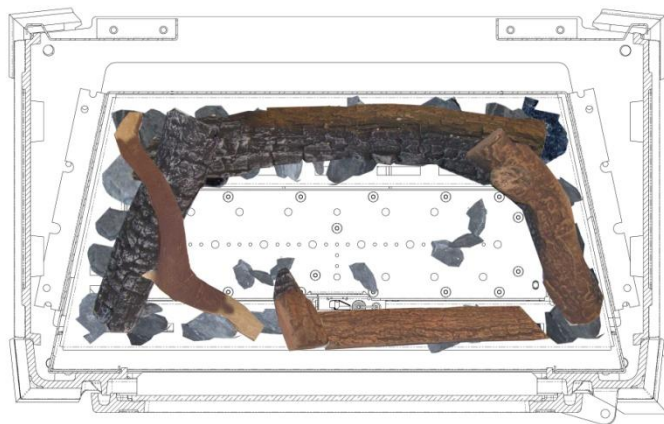
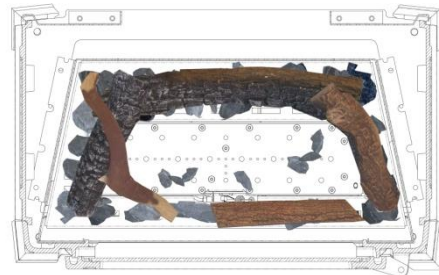
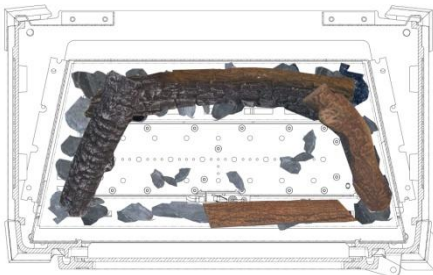
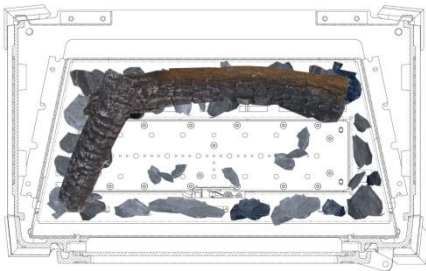
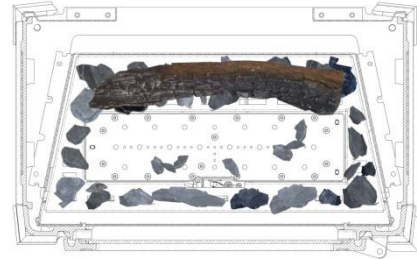
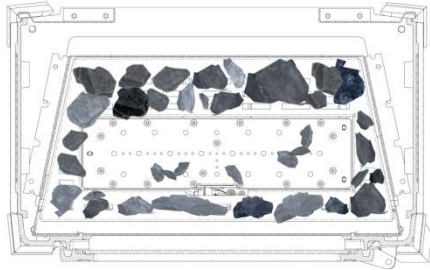
Installation instructions

H24 NG



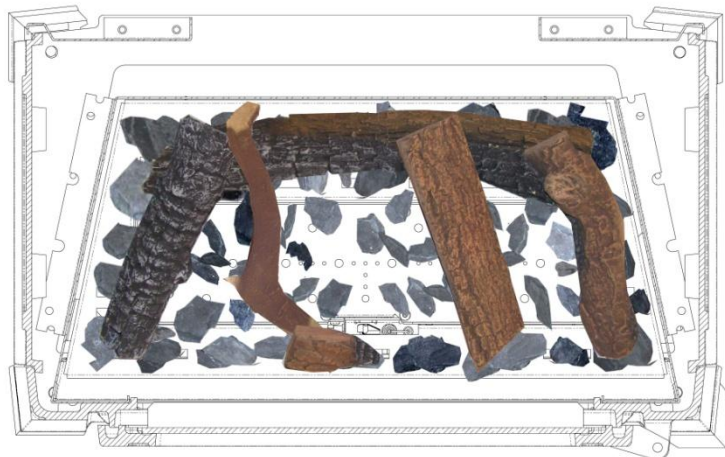
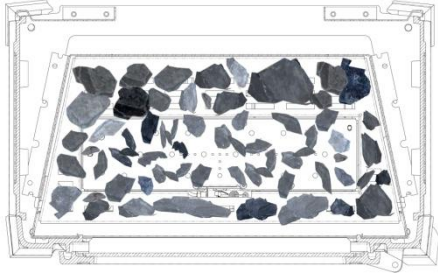
Installation instructions

H34 LPG



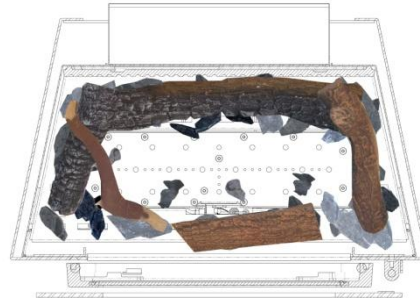
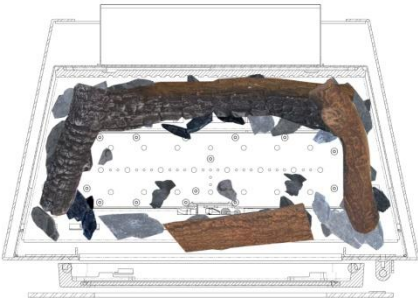
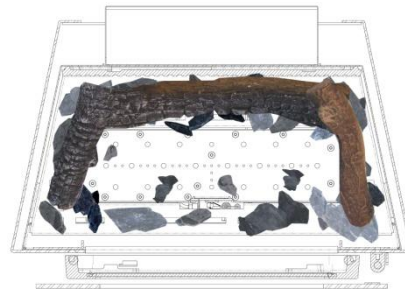
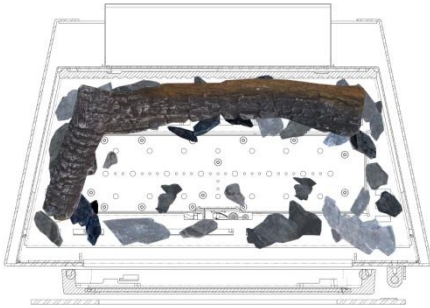
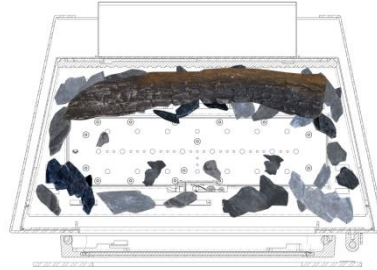
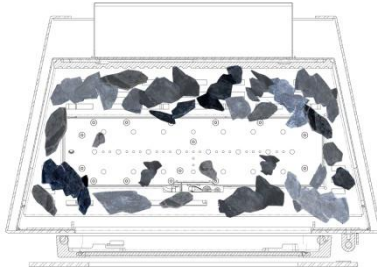
Installation instructions

H34 NG



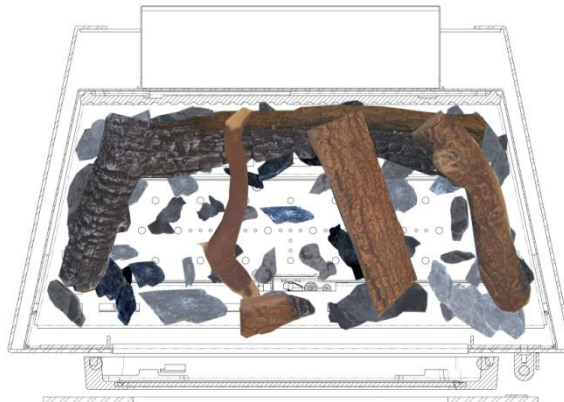
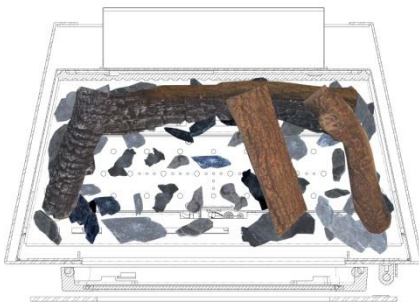
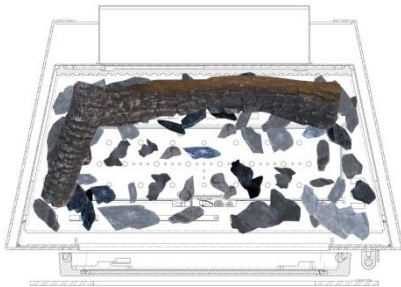
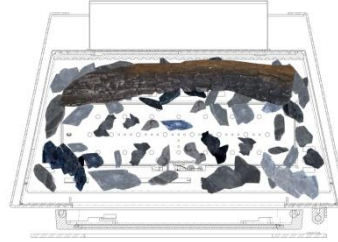
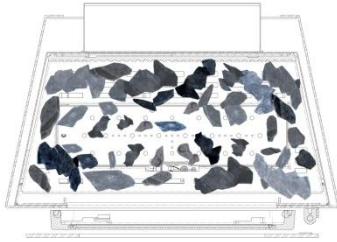
Installation instructions

RH34 LPG



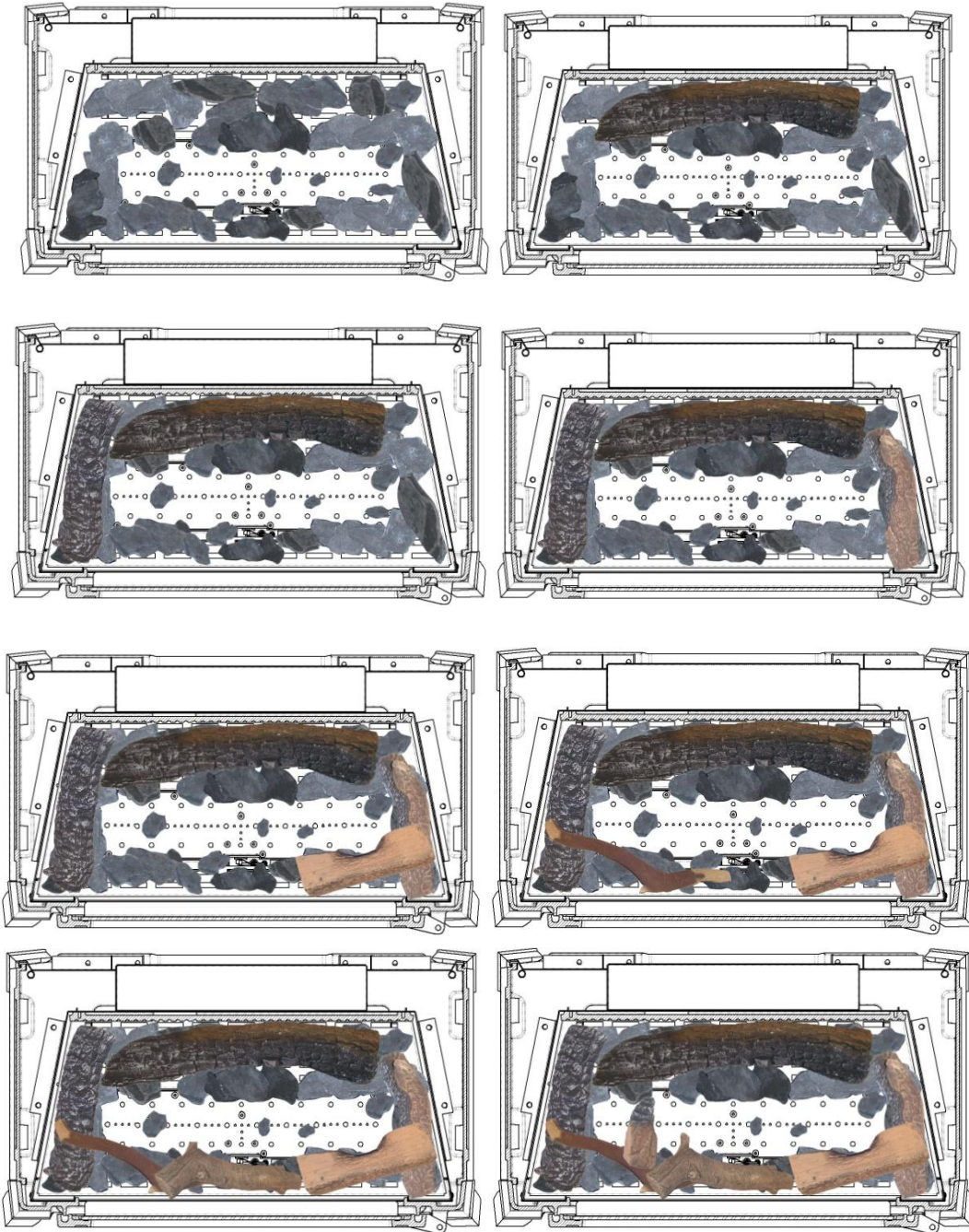
Installation instructions

RH34 NG



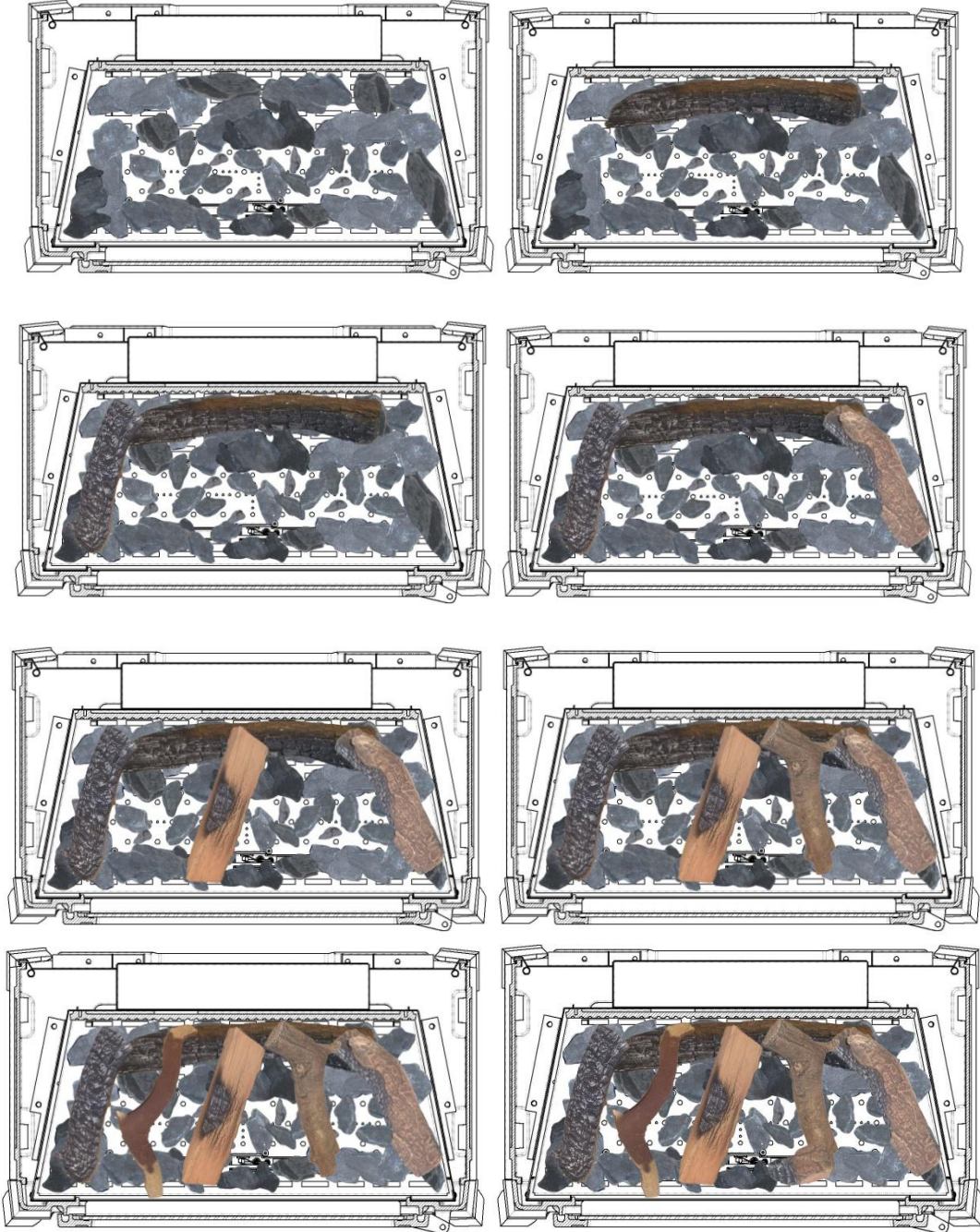
Installation instructions

H44 LPG



Installation instructions

H44 NG



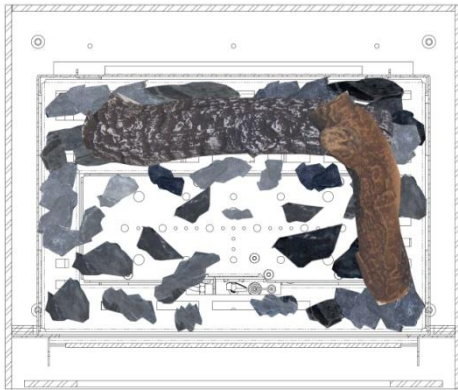
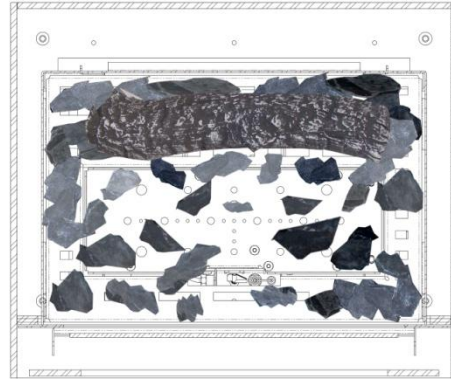
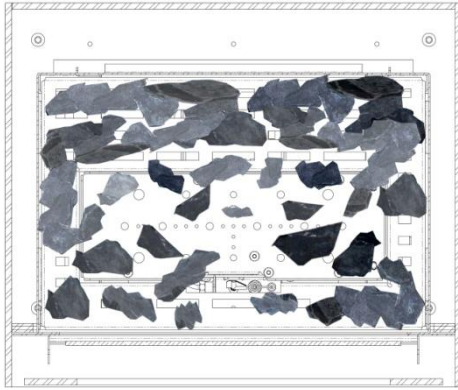
Installation instructions

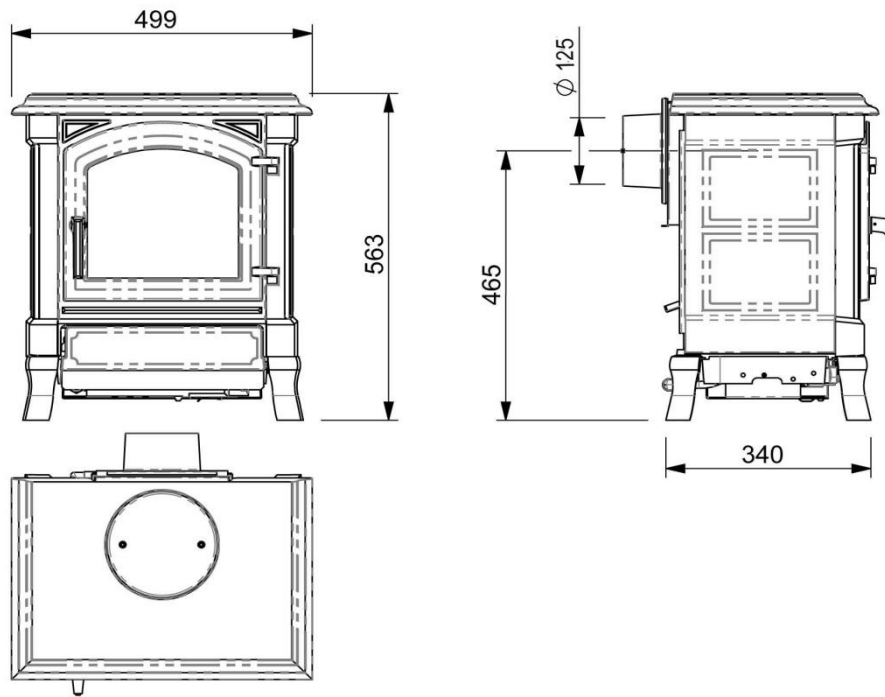
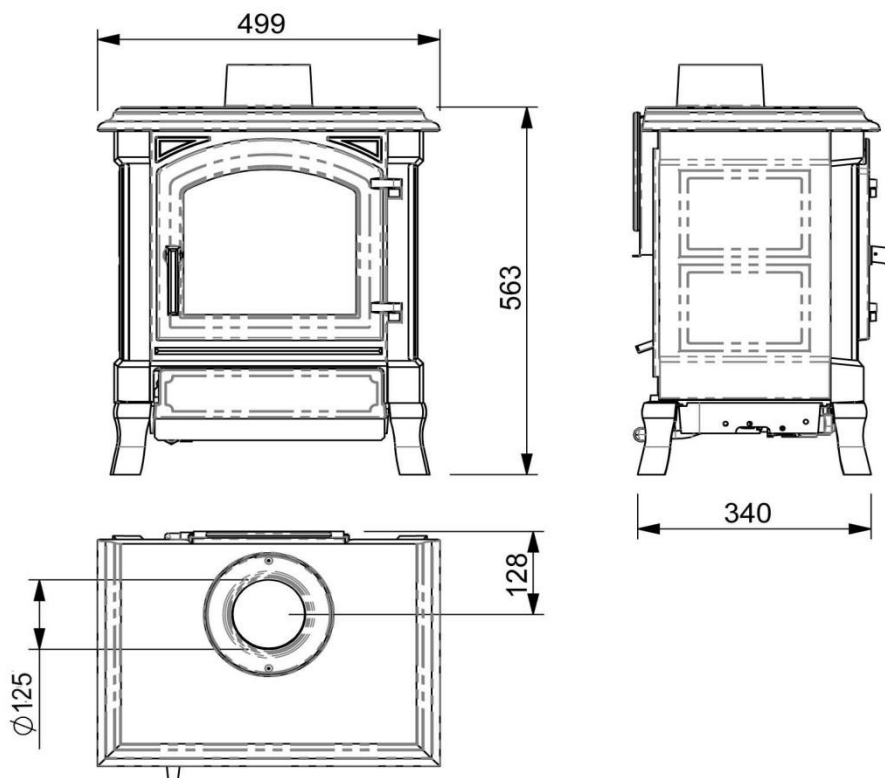
TQH14 LPG

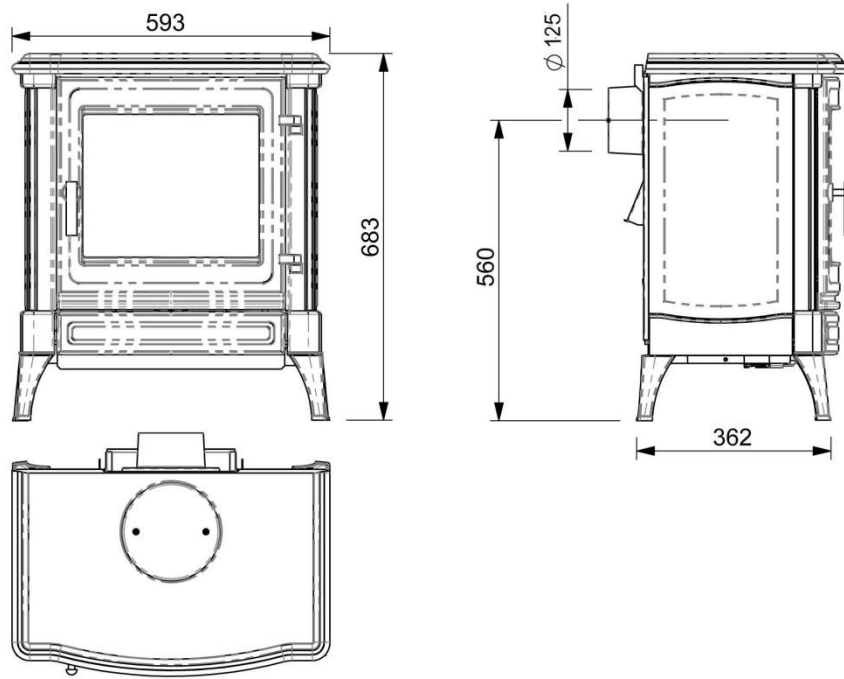
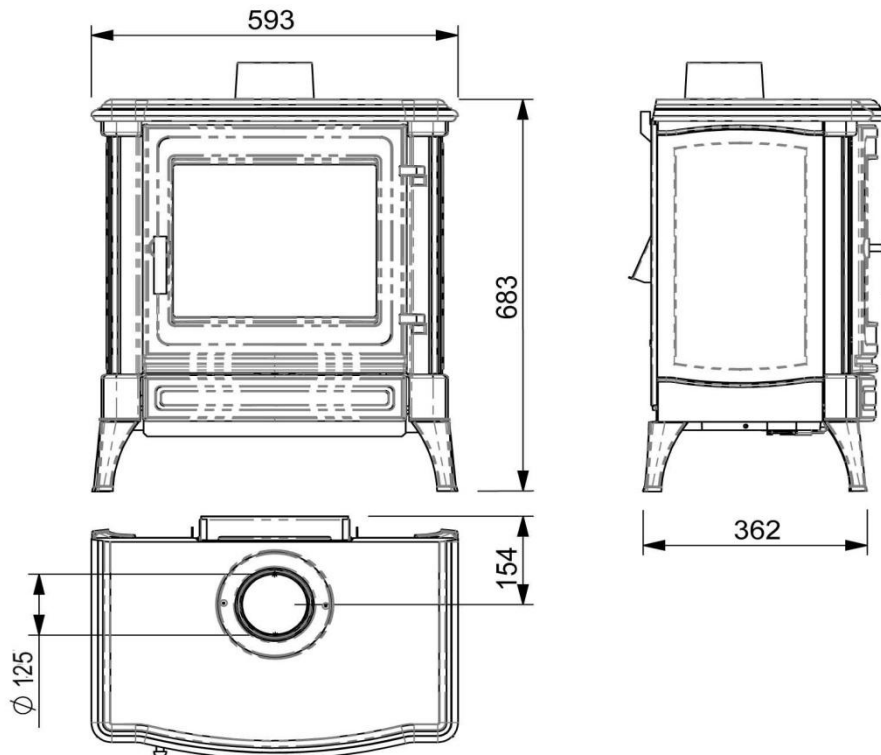


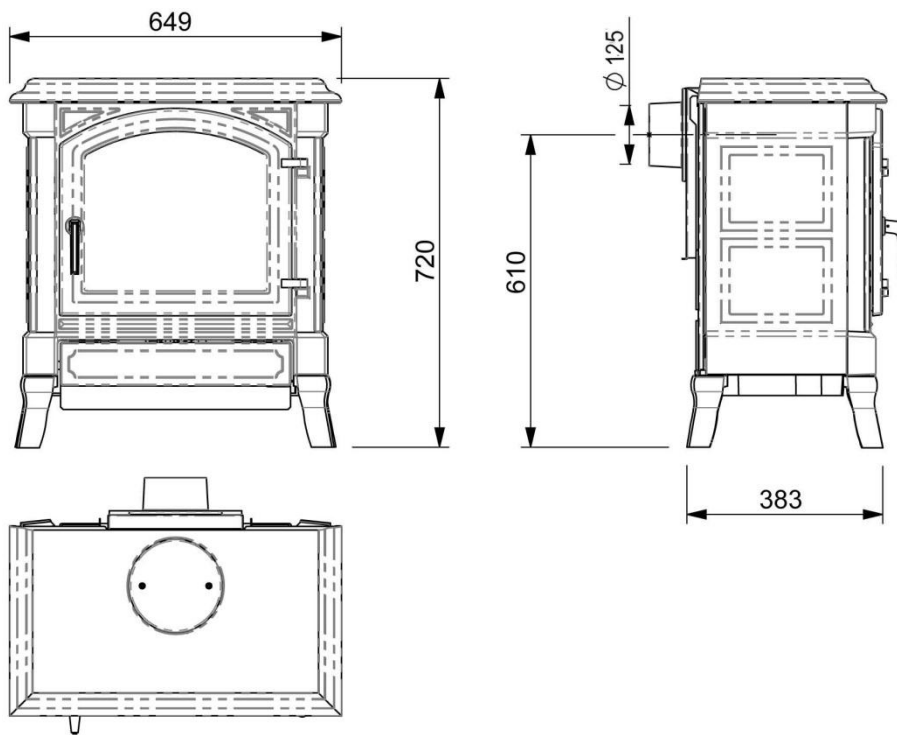
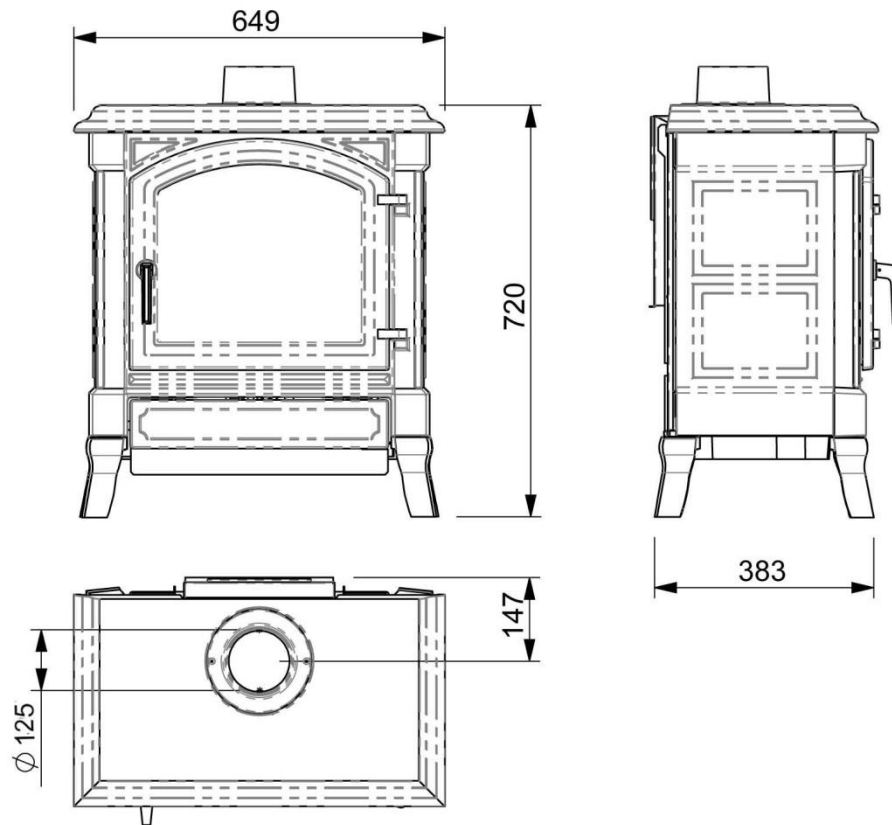
Installation instructions

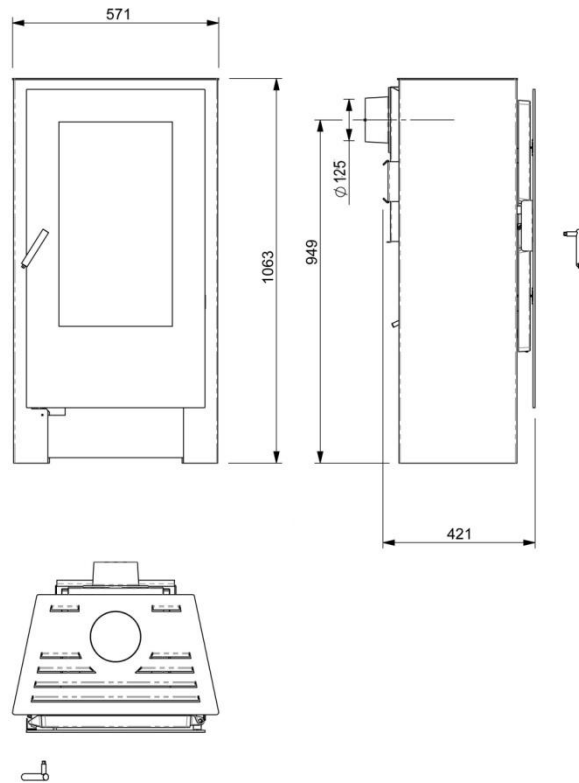
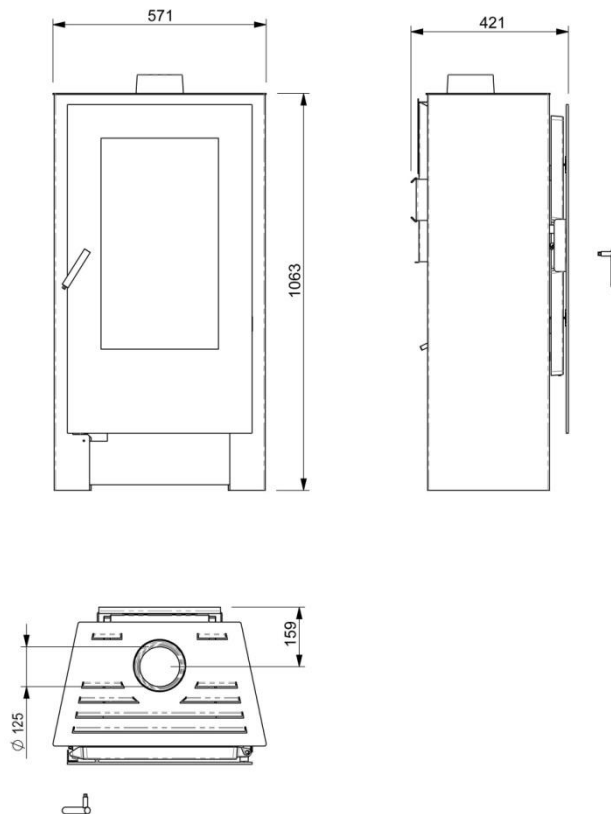
TQH14 NG

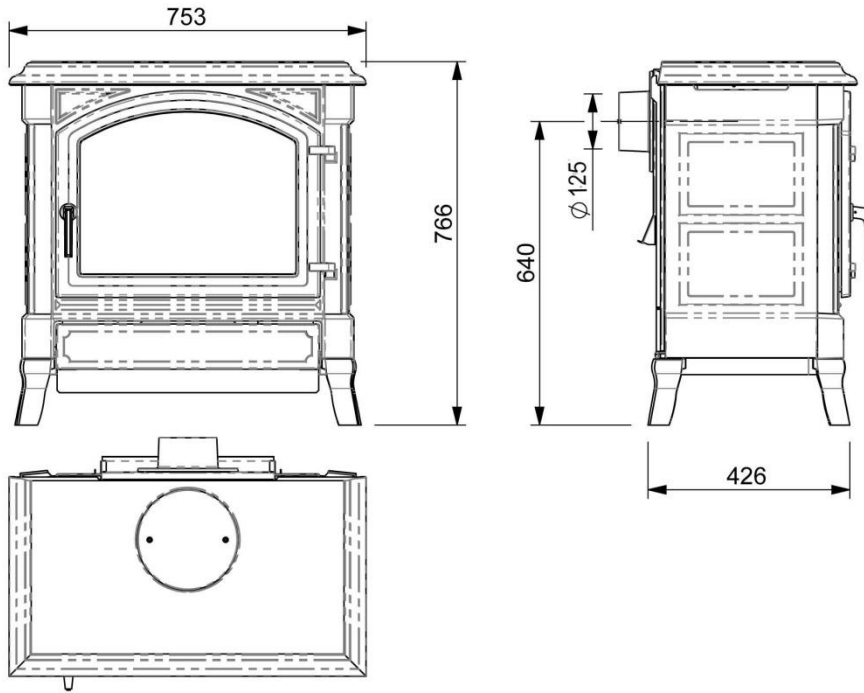
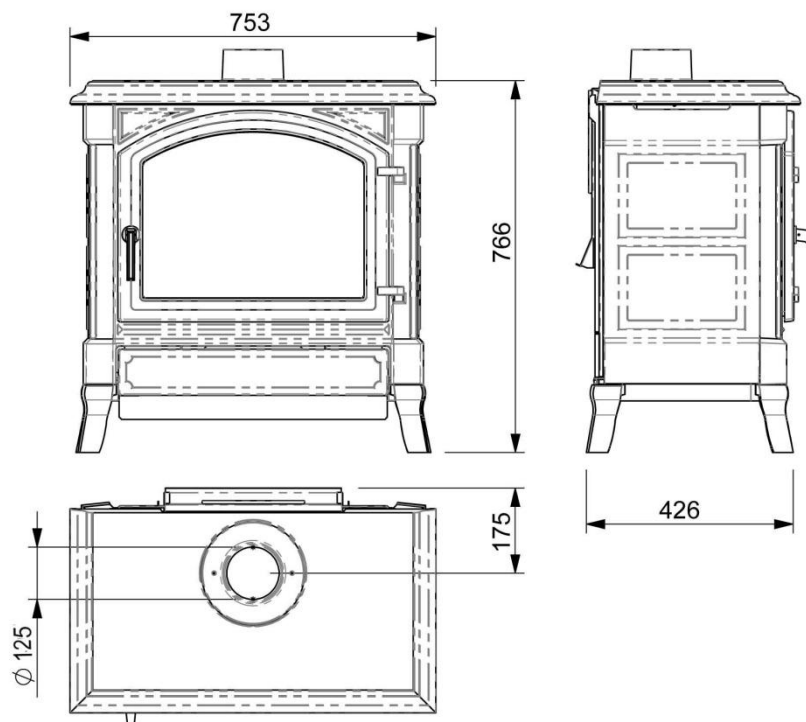


Installation instructions**3.6 Dimensions****H14 REAR FLUE****H14 TOP FLUE**

Installation instructions**S24 REAR FLUE****S24 TOP FLUE**

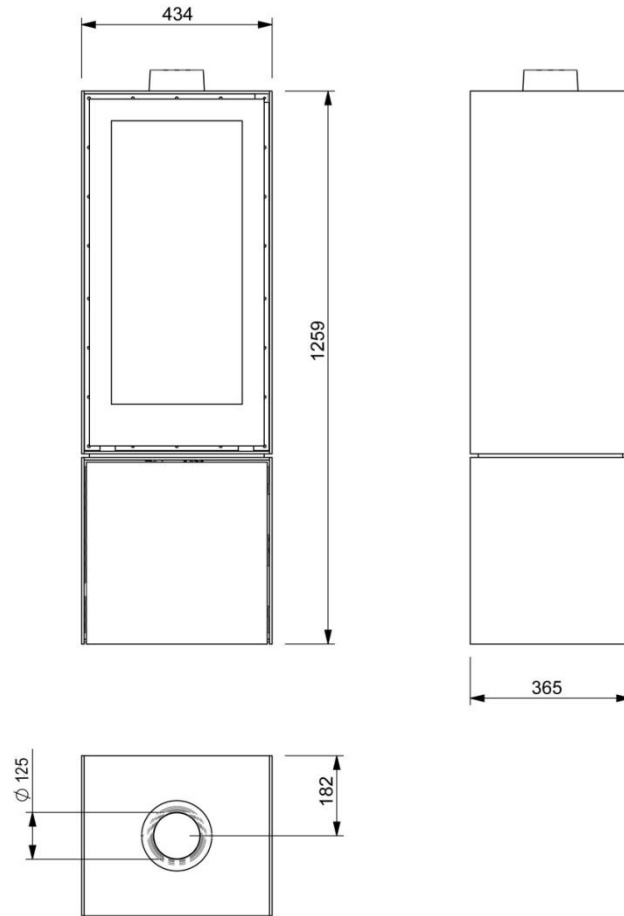
Installation instructions**S34 REAR FLUE****S34 TOP FLUE**

Installation instructions**RH34 REAR FLUE****RH34 TOP FLUE**

Installation instructions**H44 REAR FLUE****H44 TOP FLUE**

Installation instructions

TQH14



Installation instructions

3.7 Commissioning the Appliance

3.7.1 Pilot Ignition Check

1. Ignite the pilot light as described in the User Instructions
2. Check that the pilot flame stays alight
3. Extinguish the pilot light

3.7.2 Main Burner Check

1. Ignite the pilot light as described in the User Instructions
2. Turn on the main burner as described in the User Instructions
3. Check that the pilot smoothly cross-lights to the main burner and that the main burner and pilot stay alight
4. Extinguish the appliance fully

3.7.3 Pressure Check

The appliance is preset to give the correct heat inputs as listed in the technical details. No further adjustment is necessary. Always check the inlet pressure and burner pressure.

1. Turn off the gas valve on the appliance
2. Release the screw on the Inlet Pressure test point on the gas valve and connect a manometer
3. Check that the measured pressure is as the prescribed supply pressure
4. Perform the test when the appliance is burning on full and with only the pilot alight
5. If the pressure is low, check the gas supply pipes are too a correct sizing
6. If the pressure is too high (more than 5 mbar over) the appliance may be installed, but the gas supply company should be contacted
7. Release the screw on the Burner Pressure test point on the gas valve and connect a manometer
8. Check that the measured pressure is as detailed in the Technical details
9. The measured value should be within +/- 10% of the described value. If this is not the case, please contact the supplier.

Note: After checking the pressures and removing the manometers, the screws in the Pressure Test points must be closed, and the system must be checked for gas-tightness.

3.8 Spillage test

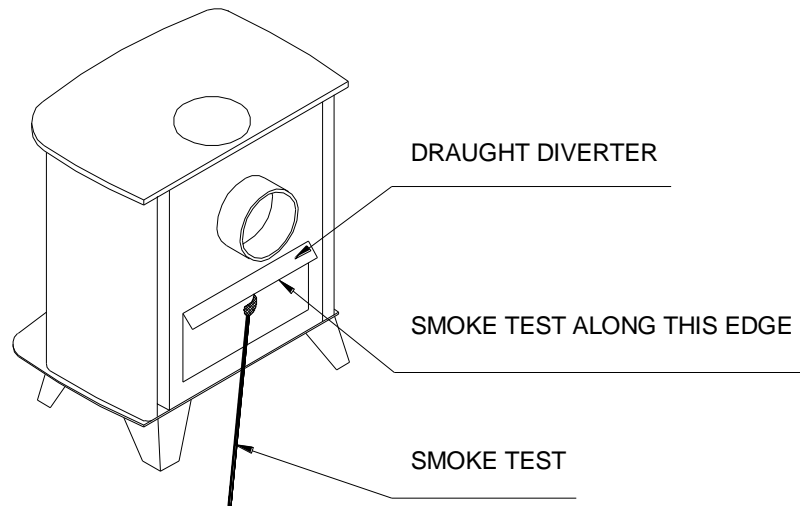
A spillage test **MUST** be made before the installed fire is left with the customer.

Carry out the test by first closing all doors and windows in the room containing the stove.

Ensure that the fire is burning at full rate for a minimum of 5 minutes to warm the flue.

Using a smoke match – run along the edge of the draught diverter as shown in Fig. 10 below. The smoke should be drawn into the draught diverter. The test should be made over the full width of the draught diverter, and the test may be done from either left or right.

Fig. 10 – Spillage test (shown as rear flue, top flue draught diverter identical)



If most of the smoke is not drawn into the draught diverter leave for a further 10 minutes and repeat.

If there is a fan in the room (or adjacent rooms) the spillage test be repeated with the fan running on full power and all connecting doors between the fire and fan left open.

If there are problems, the chimney/flue may require attention. Isolate the stove and seek expert advice.

The stove will produce an odour and/or smoke for the first few hours of use. Please ventilate the room.

Servicing

4. Servicing

Turn the appliance OFF and isolate the gas supply. Ensure the appliance is fully cold before attempting to start servicing the appliance. No liability can be accepted by Nestor Martin for injury caused by burning or scolding by a hot appliance.

A suggested procedure for servicing is listed below.

- A. Open the door
- B. Carefully remove the Ceramic components (including Embers) or Gravels
- C. Use a Vacuum cleaner to clean the top of the burners and grate
- D. Remove Grate
- E. Using a vacuum cleaner, fully clean the burner. The Pilot assembly is now clearly visible. Use the vacuum cleaner and a soft brush to clean the pilot assembly. Never modify or bend the Thermocouple
- F. Turn on the gas supply and check for leaks, check the burner and Pilot for good condition and operation
- G. Replace Grate
- H. Replace the Firebed arrangements
- I. Close the door
- J. Check the flue system and terminal, making sure that the terminal vent is fully clear
- K. Light the appliance and test setting pressures
- L. Check the safe operation of the appliance.

4.1 Cleaning the Ceramics

Remove the ceramics as detailed in A - B above.

Gently clean the ceramics in the open air, using a soft brush and a vacuum cleaner. Where necessary replace damaged components only with genuine Nestor Martin specified parts. Seal any scrap ceramics in plastic bags and dispose at proper refuse sites. When using a vacuum cleaner, it is recommended that one with a HEPA filtering system is used.

Re-fit the Firebed arrangement, re-seal the appliance and check the safe operation of the appliance.

4.2 Servicing the Burners

The pilot is now clearly visible, the pilot, including the Thermocouple, can be replaced/serviced by removing raising the pilot assembly from its mounting. This is done by removing the two nuts (M5, 8mm spanner) followed by removing the pilot shield and the pilot clamp.

To access the Burner Injector, the Burner must be removed. This is done by removing the four bolts (M6, 10mm spanner) holding the burner in. With these four bolts removed, the Burner base can be raised up through the Firebox, and the Injectors can be easily accessed.

When replacing any parts use only original Nestor Martin specified parts.

Servicing

4.3 Spare parts

For spare parts contact Nestor Martin quoting the name and part number of the appliance and the type of spare part you require.

Item	
Ceramic Log Pack	XXXXX
Ember Pack	XXXXX
Pilot Assembly Natural	XXXXX
Pilot Assembly LPG	XXXXX
Electrode	XXXXX
Electrode Lead	XXXXX
Thermocouple	XXXXX
Injector Natural	XXXXX
Injector LPG	XXXXX
Complete Burner Assembly Natural	XXXXX
Complete Burner Assembly LPG	XXXXX
Grate Assembly	XXXXX
Gas Valve Assembly Natural	XXXXX
Gas Valve Assembly LPG	XXXXX
Receiver unit	XXXXX
Handset	XXXXX
Window Panel	XXXXX

Technical Information

5. Technical information

5.1 Countries of Use

Country	Natural	LPG
AT -Austria	I2H, G20 at 20 mbar	I3P(50),G31 at 50 mbar; I3B/P(50),G30/G31 at 50 mbar
BE -Belgium	I2E+, G20/G25 at 20/25 mbar	I3+,G31/G31 at 28/37 mbar; I3P(37),G31 at 37 mbar; I3B/P(30),G30/G31 at 30 mbar
BG -Bulgaria	I2H, G20 at 20 mbar	I3B/P(30),G30/G31 at 30 mbar
CH - Switzerland	I2H, G20 at 20 mbar	I3P(50),G31 at 50 mbar; I3+,G31/G31 at 28/37 mbar; I3P(37),G31 at 37 mbar; I3B/P(50),G30/G31 at 50
CY -Cyprus	N/A	
CZ -Czech Republic	I2H, G20 at 20 mbar	I3P(50),G31 at 50 mbar; I3+,G31/G31 at 28/37 mbar; I3P(37),G31 at 37 mbar; I3B/P(50),G30/G31 at 50
DE -Germany	I2ELL, G25 at 20 mbar ¹ ; I2E, G20 at 20 mbar	I3P(50),G31 at 50 mbar; I3B/P(50),G30/G31 at 50
DK -Denmark	I2H, G20 at 20 mbar	I3B/P(30),G30/G31 at 30 mbar
EE -Estonia	I2H, G20 at 20 mbar	I3B/P(30),G30/G31 at 30 mbar
ES -Spain	I2H, G20 at 20 mbar	I3+,G31/G31 at 28/37 mbar; I3P(37),G31 at 37 mbar
FI -Finland	I2H, G20 at 20 mbar	I3P(30),G31 at 30 mbar; I3B/P(30),G30/G31 at 30 mbar
FR -France	I2E+, G20/G25 at 20/25 mbar	I3+,G31/G31 at 28/37 mbar; I3P(37),G31 at 37 mbar; I3B/P(30),G30/G31 at 30 mbar; I3B/P(50),G30/G31 at 50
GB -United Kingdom	I2H, G20 at 20 mbar	I3+,G31/G31 at 28/37 mbar; I3P(37),G31 at 37 mbar; I3B/P(30),G30/G31 at 30 mbar
GR -Greece	I2H, G20 at 20 mbar	I3+,G31/G31 at 28/37 mbar; I3P(37),G31 at 37 mbar; I3B/P(30),G30/G31 at 30 mbar
HU-Hungary		I3B/P(30),G30/G31 at 30 mbar
HR -Croatia	I2H, G20 at 20 mbar	I3P(37),G31 at 37 mbar; I3B/P(30),G30/G31 at 30 mbar
IE -Ireland	I2H, G20 at 20 mbar	I3+,G31/G31 at 28/37 mbar; I3P(37),G31 at 37 mbar
IS -Iceland		
IT -Italy	I2H, G20 at 20 mbar	I3+,G31/G31 at 28/37 mbar; I3P(37),G31 at 37 mbar; I3B/P(30),G30/G31 at 30 mbar
LT -Lithuania	I2H, G20 at 20 mbar	I3+,G31/G31 at 28/37 mbar; I3P(37),G31 at 37 mbar; I3B/P(30),G30/G31 at 30 mbar
LU -Luxembourg	I2E, G20 at 20 mbar	
LV -Latvia	I2H, G20 at 20 mbar	
MT-Malta		I3B/P(30),G30/G31 at 30 mbar

NL -The Netherlands	I2L, G25 at 25 mbar	I3P(50),G31 at 50 mbar; I3P(30),G31 at 30 mbar; I3P(37),G31 at 37 mbar; I3B/P(30),G30/G31 at 30 mbar
NO-Norway	I2H, G20 at 20 mbar	I3B/P(30),G30/G31 at 30 mbar
PL -Poland	I2E, G20 at 20 mbar	I3P(37),G31 at 37 mbar
PT -Portugal	I2H, G20 at 20 mbar	I3+,G31/G31 at 28/37 mbar; I3P(37),G31 at 37 mbar
RO -Romania	I2E, G20 at 20 mbar	I3P(30),G31 at 30 mbar; I3B/P(30),G30/G31 at 30 mbar
SE - Sweden	I2H, G20 at 20 mbar	I3B/P(30),G30/G31 at 30 mbar
SL -Slovenia	I2H, G20 at 20 mbar	I3+,G31/G31 at 28/37 mbar; I3P(37),G31 at 37 mbar; I3B/P(30),G30/G31 at 30 mbar
SK -Slovakia	I2H, G20 at 20 mbar	I3P(50),G31 at 50 mbar; I3+,G31/G31 at 28/37 mbar; I3P(37),G31 at 37 mbar; I3B/P(30),G30/G31 at 30 mbar; I3B/P(50),G30/G31 at 50
TR -Turkey	I2H, G20 at 20 mbar	I3+,G31/G31 at 28/37 mbar; I3P(37),G31 at 37 mbar; I3B/P(30),G30/G31 at 30 mbar

Technical Information

5.2 Technical Data

H14

Gas type		G20	G20/G25	G20/G25	G25	G30/G31		G31	
		l _{2H} , l _{2E}	l _{2E+}	l _{2ELL}	l _{2L}	l _{3B/P(30/50)}	l ₃₊	l _{3P(37,50)}	l _{3P(30)}
Supply Pressure	mbar	20	20/25	20	25	30/50	28-30/37	37/50	30
Nominal Heat Input Gross (H _s)	kW	6.9	6.9	6.9	6.9	6.9	6.9	6.9	6.9
Nominal Heat Input Nett (H _i)	kW	6.2	6.2	6.2	6.2	6.4	6.4	6.4	6.4
Consumption	m ³ /hr	0.631	0.631/0.741	0.741	0.741	0.191	0.191	0.248	0.248
Burner Pressure (hot)	mbar	15	15\22	16	22	28.9	28.9	36	29
Injector Marking		480		560	480	160		180	
Pilot		9043				9228			
Efficiency Class		1							
Nox Class		5							

H24

Gas type		G20	G20/G25	G20/G25	G25	G30/G31		G31	
		l _{2H} , l _{2E}	l _{2E+}	l _{2ELL}	l _{2L}	l _{3B/P(30/50)}	l ₃₊	l _{3P(37,50)}	l _{3P(30)}
Supply Pressure	mbar	20	20/25	20	25	30/50	28-30/37	37/50	30
Nominal Heat Input Gross (H _s)	kW	9	9	9	9	7.8	7.8	7.8	7.8
Nominal Heat Input Nett (H _i)	kW	8.1	8.1	8.1	8.1	7.2	7.2	7.2	7.2
Consumption	m ³ /hr	0.828	0.828/0.960	0.960	0.960	0.213	0.213	0.277	0.277
Burner Pressure (hot)	mbar	12.4	12.4\17.8	17.8	17.8	28.6	28.6	36	29
Injector Marking		650				180		220	
Pilot		446.0330.24				446.0330.44			
Efficiency Class		1							
Nox Class		5							

Technical Information

S34

Gas type		G20	G20/G25	G20/G25	G25	G30/G31		G31	
		l _{2H} ,l _{2E}	l _{2E+}	l _{2ELL}	l _{2L}	l _{3B/P(30/50)}	l ₃₊	l _{3P(37,50)}	l _{3P(30)}
Supply Pressure	mbar	20	20/25	20	25	30/50	28-30/37	37/50	30
Nominal Heat Input Gross (H _s)	kW	9.5	9.5	9.5	9.5	8.5	8.5	8.5	8.5
Nominal Heat Input Nett (H _i)	kW	8.6	8.6	8.6	8.6	7.8	7.8	7.8	7.8
Consumption	m ³ /hr	0.878	0.878/1.010	1.010	1.010	0.234	0.234	0.305	0.305
Burner Pressure (hot)	mbar	4.9	4.9\7.2	7.2	7.2	28.8	28.8	36	29
Injector Marking		1200				220			260
Pilot		9043				9228			
Efficiency Class		1							
Nox Class		5							

S44

Gas type		G20	G20/G25	G20/G25	G25	G30/G31		G31	
		l _{2H} ,l _{2E}	l _{2E+}	l _{2ELL}	l _{2L}	l _{3B/P(30/50)}	l ₃₊	l _{3P(37,50)}	l _{3P(30)}
Supply Pressure	mbar	20	20/25	20	25	30/50	28-30/37	37/50	30
Nominal Heat Input Gross (H _s)	kW	11.6	11.6	11.6	11.6	9.8	9.8	9.8	9.8
Nominal Heat Input Nett (H _i)	kW	10.5	10.5	10.5	10.5	9.0	9.0	9.0	9.0
Consumption	m ³ /hr	1.082	1.082/1.257	1.257	1.257	0.272	0.272	0.354	0.354
Burner Pressure (hot)	mbar	6.5	6.5\9.7	9.7	9.7	26.4	26.4	35	29
Injector Marking		1200				260			280
Pilot		9043				9228			
Efficiency Class		1							
Nox Class		5							

Technical Information**RH34**

Gas type		G20	G20/G25	G20/G25	G25	G30/G31		G31	
		l ₂ H, l ₂ E	l ₂ E+	l ₂ ELL	l ₂ L	l ₃ B/P(30/50)	l ₃ +	l ₃ P(37,50)	l ₃ P(30)
Supply Pressure	mbar	20	20/25	20	25	30/50	28-30/37	37/50	30
Nominal Heat Input Gross (Hs)	kW	13.5	13.5	13.5	13.5	10	10	10	10
Nominal Heat Input Nett (Hi)	kW	12.2	12.2	12.2	12.2	9.2	9.2	9.2	9.2
Consumption	m ³ /hr	1.25	1.250/1.460	1.460	1.460	0.274	0.274	0.357	0.357
Burner Pressure (hot)	mbar	9.2	9.2\13	13	13	27.5	27.5	35	29
Injector Marking		1200				260			280
Pilot		9043				9228			
Efficiency Class		1							
Nox Class		5							

TQH14

Gas type		G20	G20/G25	G20/G25	G25	G30/G31		G31	
		l ₂ H, l ₂ E	l ₂ E+	l ₂ ELL	l ₂ L	l ₃ B/P(30/50)	l ₃ +	l ₃ P(37,50)	l ₃ P(30)
Supply Pressure	mbar	20	20/25	20	25	30/50	28-30/37	37/50	30
Nominal Heat Input Gross (Hs)	kW	9.5	9.5	9.5	9.5	8	8	8	8
Nominal Heat Input Nett (Hi)	kW	8.6	8.6	8.6	8.6	7.4	7.4	7.4	7.4
Consumption	m ³ /hr	0.891	.891/1.031	1.031	1.031	0.219	0.219	0.285	0.285
Burner Pressure (hot)	mbar	16.7	16.7\22	9	22	28.9	28.9	36	29
Injector Marking		650		1200	650	220			260
Pilot		9043				9228			
Efficiency Class		1							
Nox Class		5							